

GENUINE DECORATION PANEL SET

Using Instructions

Applicable model:	MX-5
Part Number	: NE51 V1 190F (Wood tone) LHD
	: NE54 V1 190F (Aluminum tone) LHD
	: NE61 V1 190F10 (Classic red) LHD
	: NE61 V1 190F91 (Galaxy gray MC) LHD
	: NE61 V1 190F94 (Wining bluer) LHD
	: QNCB V1 190 C1 (Carbon tone) LHD
	: N121 V1 190F (Wood tone) RHD
	: N124 V1 190F (Aluminum tone) RHD
	: NE64 V1 190F10 (Classic red) RHD
	: NE64 V1 190F91 (Galaxy gray MC) RHD
	: NE64 V1 190F94 (Wining bluer) RHD

Thank you very much for buying the Mazda Genuine Parts.

Before removal and installation, you are expected to carefully read these instructions.

To use it in its best conditions, be sure to read thoroughly read these instructions for full Understanding of the contents and to properly use it.

< Cautions and Requests >

- ⚠ CAUTION and ⚠ WARNING marks shown in these instructions indicate safely precautions, which you are requested to strictly comply with during installation and use.

⚠ WARNING : Indicates a situation in which serious injury or death could result if the warning is ignored.

⚠ CAUTION : Indicates a situation in which bodily injury or damage to the vehicle could result in if the caution is ignored.

- Do not install the rear under spoiler in any way other than described in the following instructions.
- Do not modify the rear under spoiler.
- To ensure safety and reliability of the work, installation, removal and disposal work must be carried out by an authorized Mazda Dealership.
- If you have any questions about the use of the accessory, ask your Mazda dealer for proper advice before using it.
- We may not accept the liability for any problems that might have occurred due to incompliance with these instructions.
- Be careful not to lose removed parts, and be sure they are kept free from scratches, grease or other dirt.

To the dealer

Please turn over these instructions to the customer after installation.

To the customer

- Keep these instructions after installation. The instructions may be necessary for installing other optional parts or removal of this accessory.
- Should the vehicle or this accessory be resold, always leave these instructions with it for the next owner.

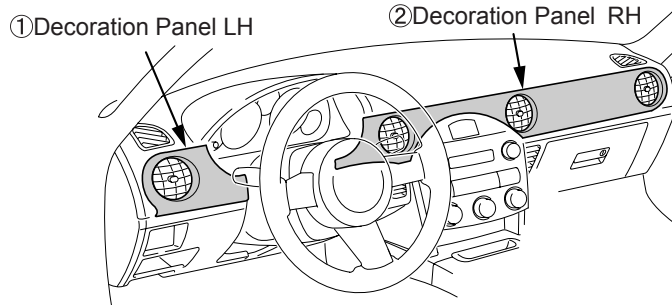
Mazda Motor Corporation

3-1, Shinch, Fuchu-cho, Aki-gun Hiroshima



1

AS-COMPLETED VIEW



2

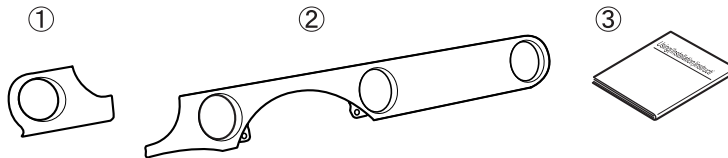
COMPONENTS



CAUTION

Make sure that there is no missing component based on the following parts list and check the components for any dirt, scratches or other damage.

No.	Part name	Q'ty
①	Decoration Panel LH	1
②	Decoration Panel RH	1
③	Using (Installation) Instructions	1



3

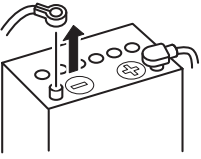

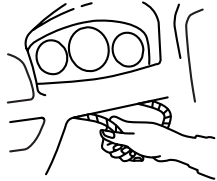

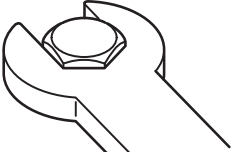
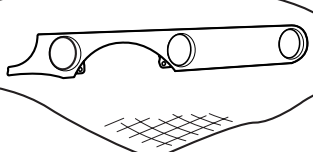
PREPARATORY WORK BEFORE INSTALLATION

Tools used (Have them ready at hand before starting the work)

- ◆ Phillips screwdriver
- ◆ Flathead screwdriver
- ◆ Protective tape (Masking tape)



CAUTION

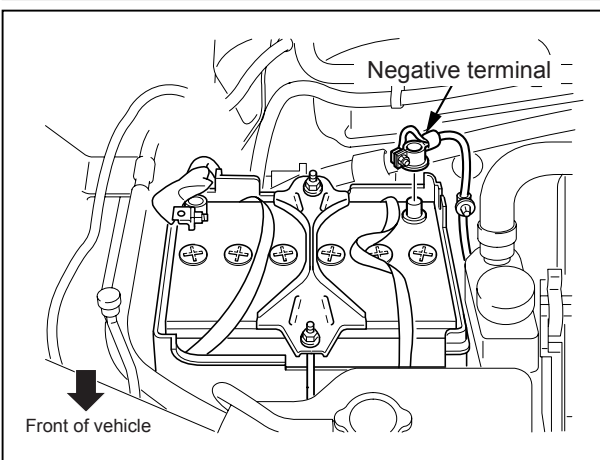
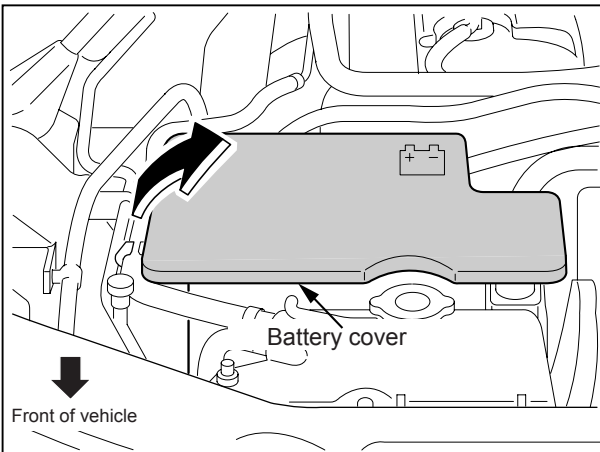
<p>Disconnect the negative terminal of the battery before starting the work. Otherwise, electrification or injury caused by short-circuit accident may occur.</p>	<p>Hold the connectors when disconnecting/connecting them to ensure the disconnection / connection. Otherwise, accident or fire caused by breaking or contact failure may occur.</p>	<p>Avoid exercising excessive force when pulling a wiring harness. Otherwise, accident caused by breaking or short-circuit, electrification or fire may occur.</p>
		
<p>Use a mat or any other protective material when removing/installing components. Otherwise, breakage of components may occur.</p>	<p>Place the removed parts and components on a protective sheet or equivalent to avoid any damage on such parts / components.</p>	<p>Place the removed parts and components on a protective sheet or equivalent to avoid any damage on such parts / components.</p>
		

Note

- Consult the service manuals for the vehicle for the instructions on the removal and installation of the vehicle components.

4

DISCONNECTING THE BATTERY TERMINAL



CAUTION

- The procedures and figures shown in this instructions are for LH only.
The procedures for RH is symmetric.

1. Check that the power for all equipment such as the headlamps and air conditioner is turned off.
2. Lift up the battery cover in the direction of the arrow to remove it.

3. Disconnect the negative battery terminal.

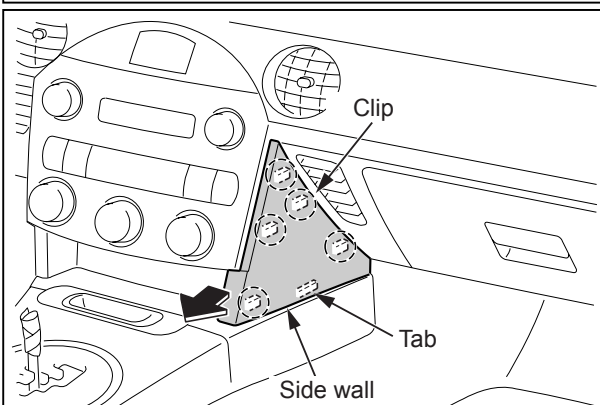
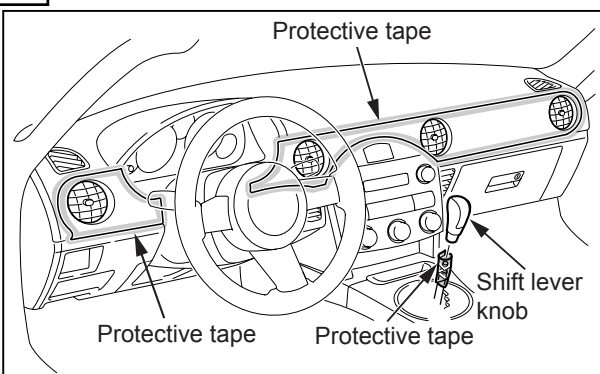


WARNING

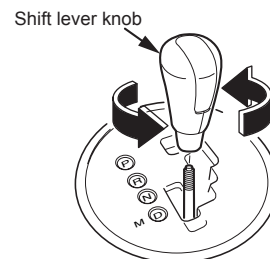
- Never bring naked flames close to the battery when handling the battery, otherwise the volatile gases coming out from the battery may ignite and cause an explosion.

5

REMOVING VEHICLE COMPONENTS

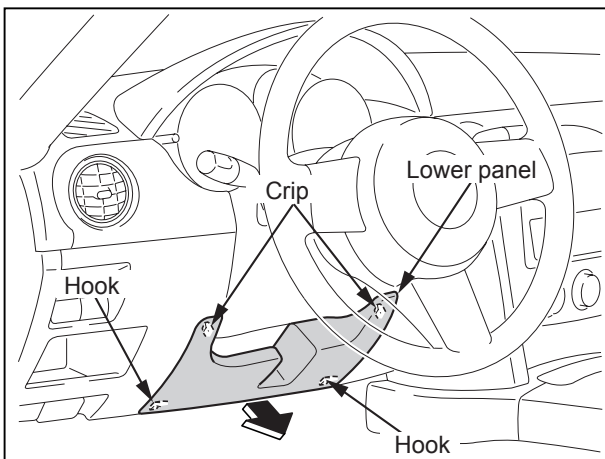


1. Wind protective tape around the inside and outside of the existing decoration panel as shown in the diagram at left to protect it from damage.
2. Move the shift lever to the D or N position, and then remove the shift lever knob and wind protective tape around it as shown in the diagram at left. (Refer to the diagram below.)



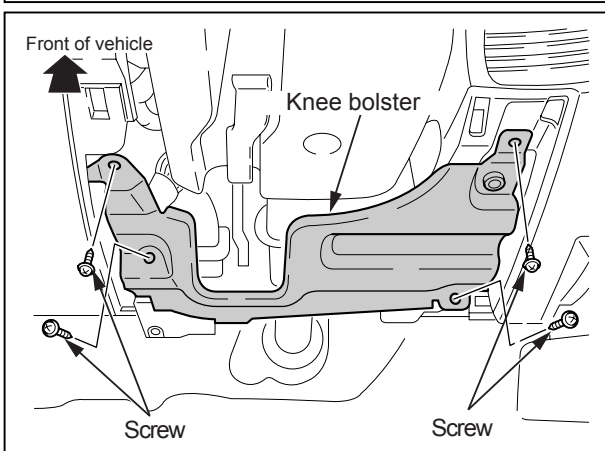
Side wall removal (R.H./L.H.)

1. Disengage the clips (five places) and the tab (one place), and then remove the side wall in the direction of the arrow.



Lower panel removal

1. Disengage the clips (two places).
2. Disengage the hooks (two places), and then pull out the lower panel in the direction of the arrow.



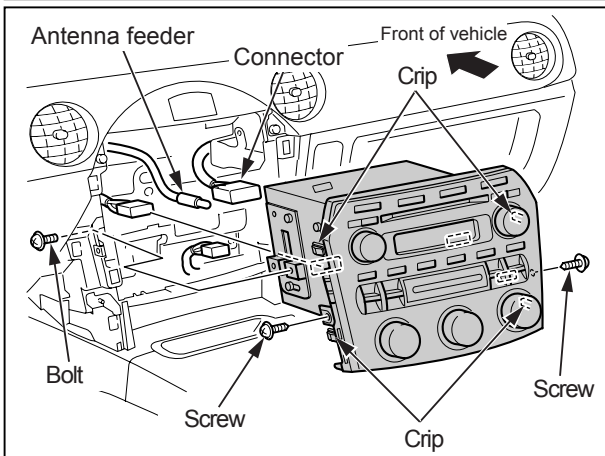
Knee bolster removal

1. Remove the screws (four places), and then remove the knee bolster.



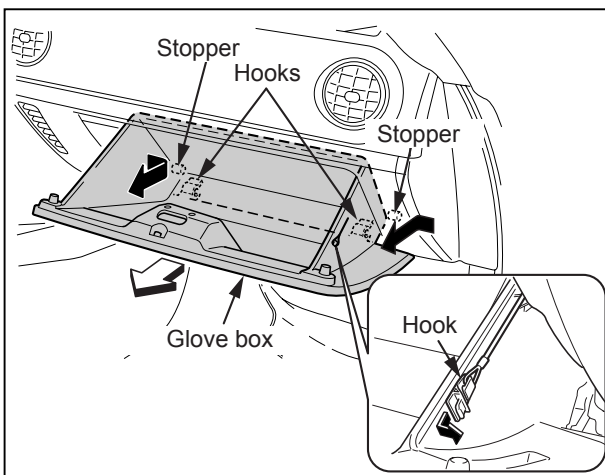
CAUTION

- Knee bolster is used only For U.S.A. spec.
(Not used for R.H. D/L.H.D of ECE spec)



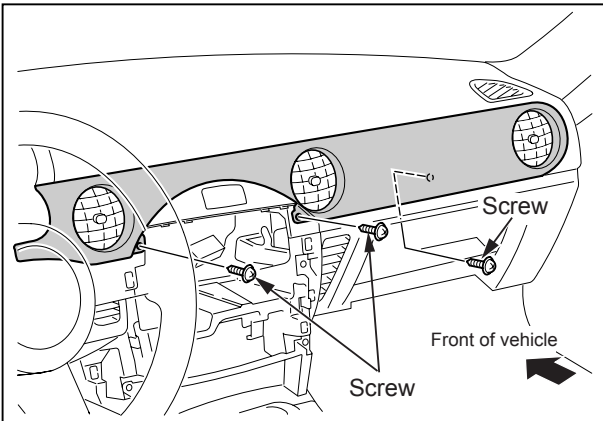
Center panel module removal

1. Remove the bolt (one place) inside the center panel module.
2. Remove the screws (two places) and disengage the clips (four places).
3. Disconnect the antenna feeder and the connectors (three places), and then remove the center panel module.



Glove box removal

1. Open the glove box, and then remove the glove box by the following procedure.
 - (1) Remove the damper hook at the side of the glove box.
 - (2) Push the stoppers at the left and right side in the direction of the arrows and pull the glove box forward.
 - (3) Disengage the hook in the direction of the arrow, and then pull the glove box forward.



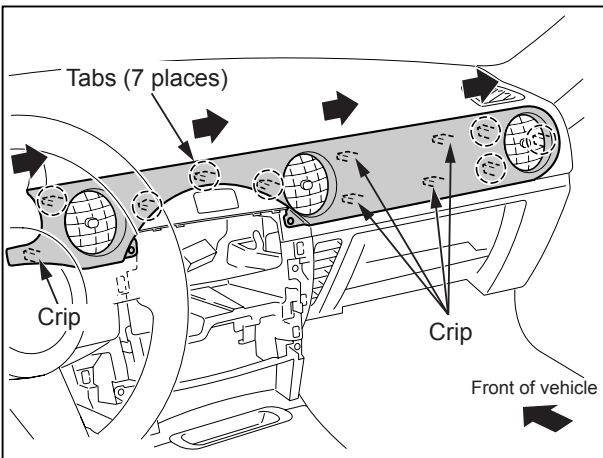
Decoration panel (existing) removal (R.H./L.H.)

1. Use a flat-tipped screwdriver with the tip wrapped in protective tape to remove the decoration panel by the following procedure.



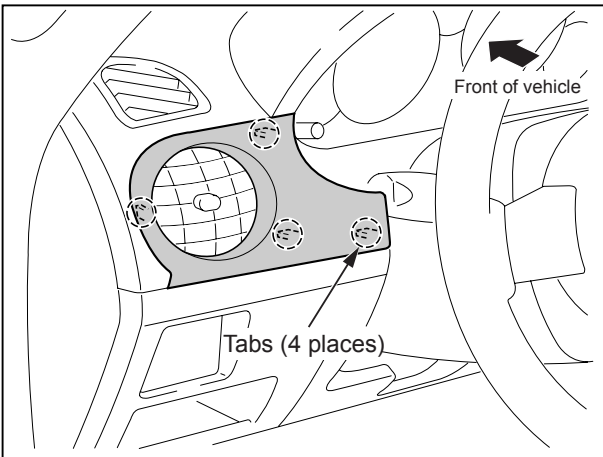
CAUTION

- To avoid damaging the vehicle components, use a flat-tipped screwdriver with as narrow a tip as possible.



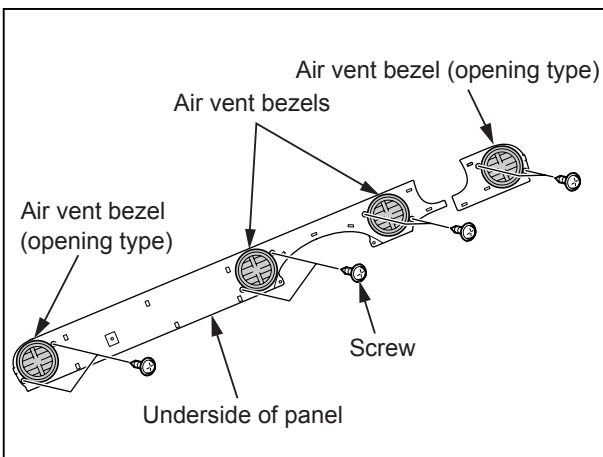
L.H. side (passenger's seat) decoration panel

- (1) Remove the screws (three places).
- (2) Disengage the tabs (seven places) and the clips (five places) in the order indicated by the arrows, and then pull the decoration panel forward to remove it.



R.H. side (driver's seat) decoration panel

- (1) Disengage the tabs (four places), and then pull the decoration panel forward to remove it.



Air vent bezel removal

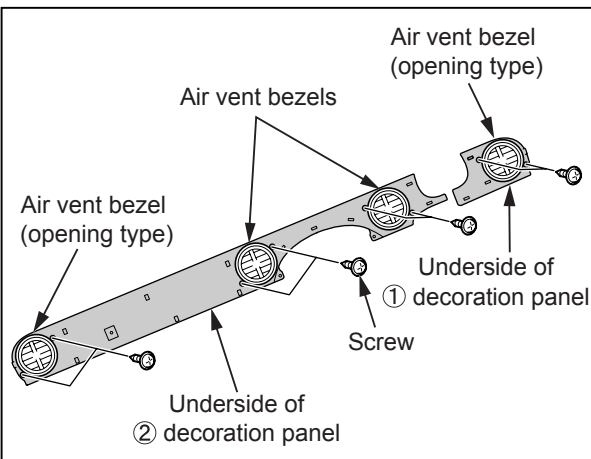
1. Place the removed decoration panels (R.H./L.H.) on top of some protective sheeting.
2. Remove the screws that are securing each of the four air vent bezels (two screws for each grille) and remove the air vent bezels.

NOTE

- The removed decoration panels do not need to be used with this product.

6

DECORATION PANEL ASSEMBLY [R.H. (DRIVER'S SIDE) AND L.H. (PASSENGER'S SIDE)]



1. Place the decoration panels ① and ② on top of some protective sheeting.
2. Install the air vent bezels (four places) to the decoration panels with the screws (two screws for each bezel).
3. Install the vehicle components by carrying out the steps in "5. Vehicle component removal" in reverse.



CAUTION

- Connect the connectors securely.
- Tighten the screws by hand when carrying out installation, and do not over tighten the screws, otherwise damage may result.

7

VEHICLE COMPONENT REASSEMBLY

1. Connect the negative battery terminal.



CAUTION

- When the battery is disconnected, the DSC will stop operating. (The DSC OFF indicator will flash at this time, and the TCS/DSC operation indicator will illuminate.) Carry out the following procedure to reactivate DSC.
 1. Turn the ignition switch to "ON".
 2. Turn the steering wheel clockwise as far as it will go, and then turn it back counterclockwise as far as it will go.
 3. Check that the DSC OFF indicator is turned off.
 4. Turn the ignition switch to "OFF" and then turn it back to "ON".
 5. Check that the TCS/DSC operation indicator is turned off. If the TCS/DSC operation indicator is still illuminated or the DSC indicator is not turned off when the ignition switch is turned back to "ON", contact your Mazda dealer.

2. Install the battery cover by carrying out the removal procedure in reverse.



CAUTION

- When installing the engine cover, check that the engine cover is firmly secured.
- Check if any of the components are dirty before installing them. If they are dirty, clean them.

3. Carry out the operation checks.



CAUTION

- If the battery connection is broken, the power windows will no longer fully open or fully close automatically. Carry out the following operation to restore normal operation.
 1. Set the ignition key to the "ON" position.
 2. Press the power window switch to fully open the power windows.
 3. Lift up the power window switch to fully close the power windows, and keep it pulled up for approximately 2 seconds.

To customers

If the surfaces of the decoration panels are dirty, wipe them with a clean cloth that is lightly soaked in neutral detergent.



CAUTION

- Do not use substances such as gasoline or organic solvents to clean the decoration panels, otherwise it may damage the panels.

Installation Inspection Sheet

[To be used by installation workshop]

MX-5	DECORATION PANEL SET
	NE51 V1 190F (Wood tone) LHD NE54 V1 190F (Aluminum tone) LHD NE61 V1 190F10 (Classic red) LHD NE61 V1 190F91 (Galaxy gray MC) LHD NE61 V1 190F94 (Wining bluer) LHD QNCB V1 190 C1 (Carbon tone) LHD N121 V1 190F (Wood tone) RHD N124 V1 190F (Aluminum tone) RHD NE64 V1 190F10 (Classic red) RHD NE64 V1 190F91 (Galaxy gray MC) RHD NE64 V1 190F94 (Wining bluer) RHD

POINTS TO CHECK AFTER INSTALLATION

- Carry out the following inspections on all installed components and removed components once installation is complete.
- Check any crevices and folds by referring to the attached external check list.

Section to be inspected	Inspection item (circle)			
	Gap / fit & finish	Scratch, stain, tape residue	Tightening & engagement	Function
Decoration Panel Set	<input type="radio"/>	<input type="radio"/>	<input type="radio"/>	
Air vent bezel	<input type="radio"/>	<input type="radio"/>	<input type="radio"/>	
Glove box	<input type="radio"/>	<input type="radio"/>	<input type="radio"/>	<input type="radio"/>
Center panel	<input type="radio"/>	<input type="radio"/>	<input type="radio"/>	<input type="radio"/>
Lower panel	<input type="radio"/>	<input type="radio"/>	<input type="radio"/>	
Knee bolster (US type Only)	<input type="radio"/>	<input type="radio"/>	<input type="radio"/>	
Side wall	<input type="radio"/>	<input type="radio"/>	<input type="radio"/>	
Power window switch	<input type="radio"/>	<input type="radio"/>	<input type="radio"/>	<input type="radio"/>
DSC				<input type="radio"/>

Decoration Panel Set installation inspection

Date (year/month/day):					
VIN: No.					
Approved		Checked		Prepared	

※ Retention period of the sheet: 3 months